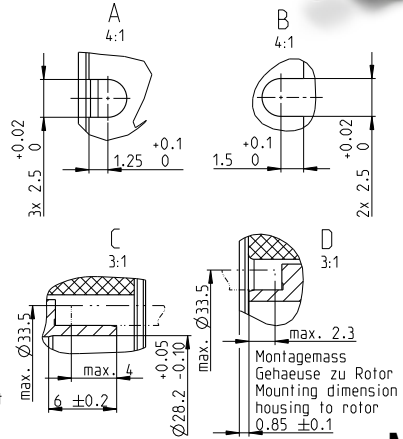
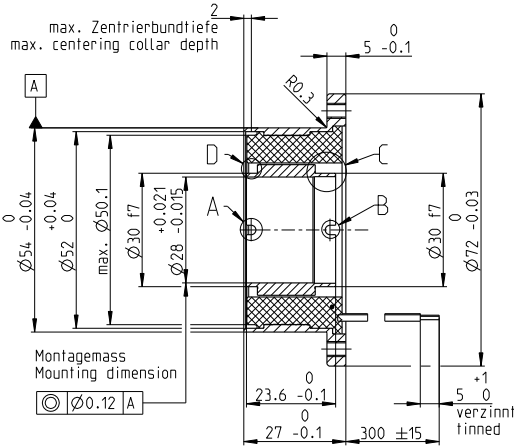
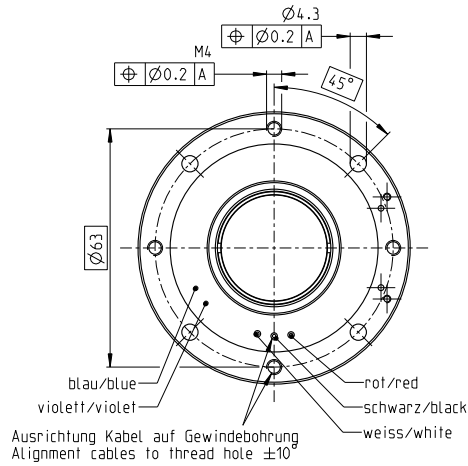


# EC frameless DT 50 M Ø54 mm, brushless, 150 watt

Dynamic Torque



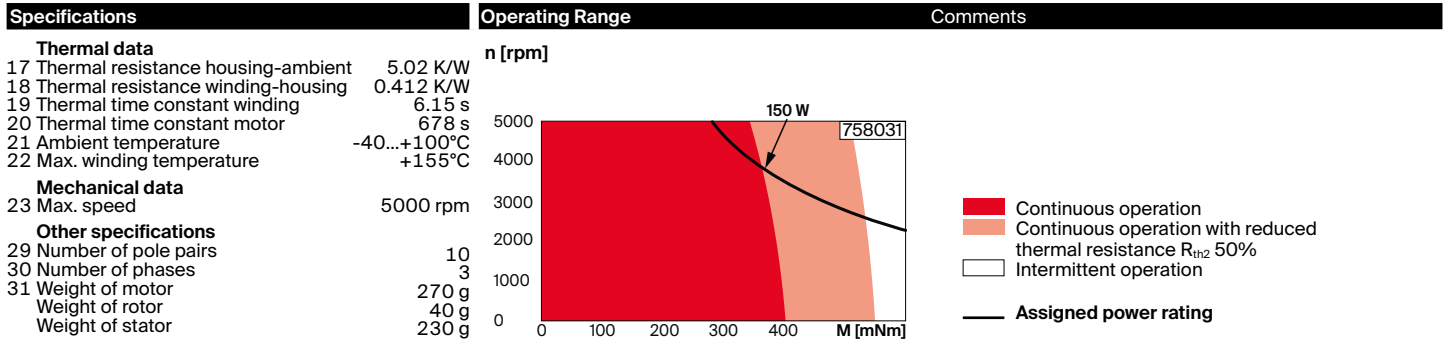
M 1:2

EC frameless

- Stock program
- Standard program
- Special program (on request)

Part Numbers	
without Hall sensors	758031

Motor Data	
Values at nominal voltage	
1 Nominal voltage	V 48
2 No load speed	rpm 4470
3 No load current	mA 127
4 Nominal speed	rpm 3780
5 Nominal torque (max. continuous torque)	mNm 416
6 Nominal current (max. continuous current)	A 3.8
7 Stall torque	mNm 3270
8 Stall current	A 63.3
9 Max. efficiency	% 91.1
Characteristics	
10 Terminal resistance phase to phase	$\Omega$ 0.758
11 Terminal inductance phase to phase	mH 0.619
12 Torque constant	mNm/A 102
13 Speed constant	rpm/V 93.5
14 Speed/torque gradient	rpm/mNm 0.694
15 Mechanical time constant	ms 0.72
16 Rotor inertia	gcm <sup>2</sup> 98.8



Values listed in the table are nominal.

**Connection motor** (Cable AWG 18)  
 red Motor winding 1  
 black Motor winding 2  
 white Motor winding 3

**Connection NTC** (Cable AWG 24)  
 purple NTC  
 blue NTC  
 Resistance 25°C: 5 k $\Omega$   $\pm 1\%$ , beta (25–85°C): 3490 K

Modular System	Details on catalog page <?>
	<b>Motor Control</b>
	500_ESCON Module 50/5
	500_ESCON 50/5
	500_DEC Modul 50/5
	500_EPOS4 Module 50/5
	500_EPOS4 Compact 50/5
	500_EPOS4 50/5
	500_EPOS4 Disk 60/8