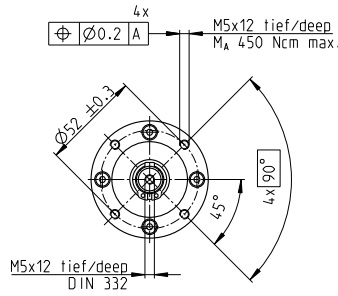
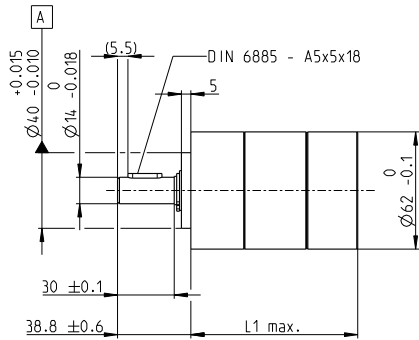


# Planetary Gearhead GP 62 A $\varnothing 62$ mm, 6.2–38.5 Nm



**M1:4**

## Technical Data

Planetary Gearhead	straight teeth
Output shaft	steel
Bearing at output	ball bearing
Radial play, 7 mm from flange	max. 0.08 mm
Axial play	max. 1.28 mm
Max. force for press fits	1000 N
Direction of rotation, drive to output	=
Max. continuous input speed	3000 rpm
Recommended temperature range	-30...+120°C
Number of stages	1 2 3
Max. radial load, 24 mm from flange	240 N 360 N 520 N
Max. axial load (dynamic)	70 N 100 N 150 N

gear

- Stock program
- Standard program
- Special program (on request)

## Part Numbers

Gearhead Data	Part Numbers									
	701923	701924	701925	701926	701927	701928	701929	701930	701931	
1 Reduction	5.2:1	19:1	27:1	35:1	71:1	100:1	139:1	181:1	236:1	
2 Absolute reduction	$\frac{57}{11}$	$\frac{359}{187}$	$\frac{3249}{121}$	$\frac{1539}{44}$	$\frac{226223}{3179}$	$\frac{204687}{2057}$	$\frac{185193}{1331}$	$\frac{87723}{484}$	$\frac{41553}{176}$	
3 Max. motor shaft diameter	mm 8	8	8	8	8	8	8	8	8	
4 Number of stages	1	2	2	2	3	3	3	3	3	
5 Max. continuous torque	Nm 6.2	19.2	19.2	19.2	38.5	38.5	38.5	38.5	38.5	
6 Max. intermittent torque at gear output	Nm 9.2	28.5	28.5	28.5	57.7	57.7	57.7	57.7	57.7	
7 Max. efficiency	% 80	75	75	75	70	70	70	70	70	
8 Weight	g 848	1167	1167	1167	1472	1472	1472	1472	1472	
9 Average backlash no load	° 0.65	0.7	0.7	0.7	0.75	0.75	0.75	0.75	0.75	
10 Mass inertia	gcm <sup>2</sup> 46.34	44.73	44.23	40.06	44.61	44.17	44.15	40.02	39.92	
11 Gearhead length L1	mm 70.5	87.5	87.5	87.5	104.4	104.4	104.4	104.4	104.4	

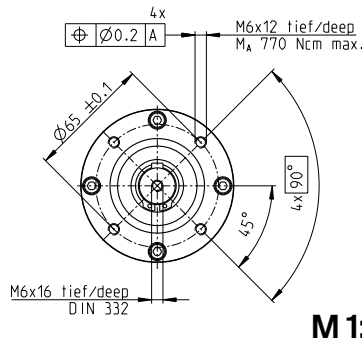
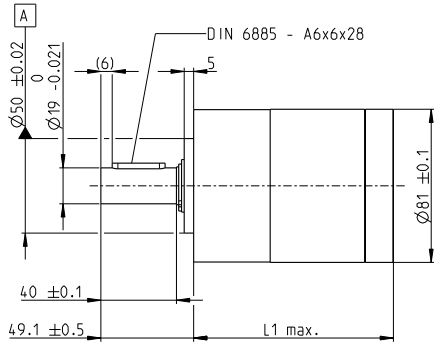


## maxon Modular System

+ Motor	Page	+ Sensor	Page	Brake	Page	Overall length [mm] = Motor length + gearhead length + (sensor/brake) + assembly parts							
RE 50, 200 W	143				178.60	195.60	195.60	195.60	212.50	212.50	212.50	212.50	212.50
RE 50, 200 W	143	HEDS 5540	472		199.30	216.30	216.30	216.30	233.20	233.20	233.20	233.20	233.20
RE 50, 200 W	143	HEDL 5540	474		199.30	216.30	216.30	216.30	233.20	233.20	233.20	233.20	233.20
RE 50, 200 W	143	HEDL 9140	479		241.00	258.00	258.00	258.00	274.20	274.90	274.90	274.90	278.90
RE 50, 200 W	143			AB 44	524	241.00	258.00	258.00	258.00	274.20	274.90	274.90	278.90
RE 50, 200 W	143	HEDL 9140	479	AB 44	524	254.00	271.00	271.00	271.00	287.90	287.90	287.90	287.90
EC 45, 250 W	231				214.60	231.60	231.60	231.60	248.50	248.50	248.50	248.50	248.50
EC 45, 250 W	231	HEDL 9140	478		230.20	247.20	247.20	247.20	264.10	264.10	264.10	264.10	264.10
EC 45, 250 W	231	Res 26	481		214.60	231.60	231.60	231.60	248.50	248.50	248.50	248.50	248.50
EC 45, 250 W	231			AB 28	520	222.00	239.00	239.00	239.00	255.90	255.90	255.90	255.90
EC 45, 250 W	231	HEDL 9140	478	AB 28	520	239.00	256.00	256.00	272.90	272.90	272.90	272.90	272.90

# Planetary Gearhead GP 81 A Ø81 mm, 15.4–92.3 Nm

gear



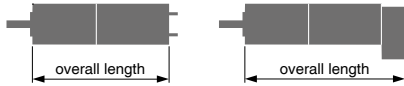
## Technical Data

Planetary Gearhead	straight teeth
Output shaft	steel
Bearing at output	ball bearing
Radial play, 8 mm from flange	max. 0.1 mm
Axial play	max. 1.28 mm
Max. force for press fits	1500 N
Direction of rotation, drive to output	=
Max. continuous input speed	3000 rpm
Recommended temperature range	-30...+120°C
Number of stages	1 2 3
Max. radial load, 29 mm from flange	400 N 600 N 1000 N
Max. axial load (dynamic)	80 N 120 N 200 N

- Stock program
- Standard program
- Special program (on request)

## Part Numbers

Gearhead Data	Part Numbers					
	701932	701933	701934	701935	701936	701937
1 Reduction	3.7:1	14:1	25:1	51:1	93:1	308:1
2 Absolute reduction	$\frac{63}{17}$	$\frac{3969}{289}$	$\frac{1701}{68}$	$\frac{250047}{4913}$	$\frac{107163}{1156}$	$\frac{19683}{64}$
3 Max. motor shaft diameter mm	14	14	14	14	14	14
4 Number of stages	1	2	2	3	3	3
5 Max. continuous torque Nm	15.4	46.2	46.2	92.3	92.3	92.3
6 Max. intermittent torque at gear output Nm	23.1	69.2	69.2	138.5	138.5	138.5
7 Max. efficiency %	80	75	75	70	70	70
8 Weight g	1902	2624	2624	3336	3336	3336
9 Average backlash no load °	0.5	0.55	0.55	0.6	0.6	0.6
10 Mass inertia gcm <sup>2</sup>	192.86	183.6	90.29	182.92	90.9	88.48
11 Gearhead length L1 mm	91.9	113.6	113.6	135.2	135.2	135.2



## maxon Modular System

+ Motor	Page	+ Sensor	Page	Brake	Page	Overall length [mm] = Motor length + gearhead length + (sensor/brake) + assembly parts					
RE 65, 250 W	142					223.40	245.10	245.10	266.70	266.70	266.70
RE 65, 250 W	142	HEDS 5540	472			249.30	271.00	271.00	292.60	292.60	292.60
RE 65, 250 W	142	HEDL 5540	474			249.30	271.00	271.00	292.60	292.60	292.60
RE 65, 250 W	142	HEDL 9140	479			279.50	301.20	301.20	322.80	322.80	322.80
RE 65, 250 W	142			AB 44	524	279.50	301.20	301.20	322.80	322.80	322.80
RE 65, 250 W	142	HEDL 9140	479	AB 44	524	297.50	319.20	319.20	340.80	340.80	340.80
EC 60, 400 W	232					269.30	291.00	291.00	312.60	312.60	312.60
EC 60, 400 W	232	HEDL 9140	478			269.30	291.00	291.00	312.60	312.60	312.60
EC 60, 400 W	232	Res 26	481			269.30	291.00	291.00	312.60	312.60	312.60
EC 60, 400 W	232			AB 41	523	282.90	304.60	304.60	326.20	326.20	326.20
EC 60, 400 W	232	HEDL 9140	478	AB 41	523	306.90	328.60	328.60	350.20	350.20	350.20