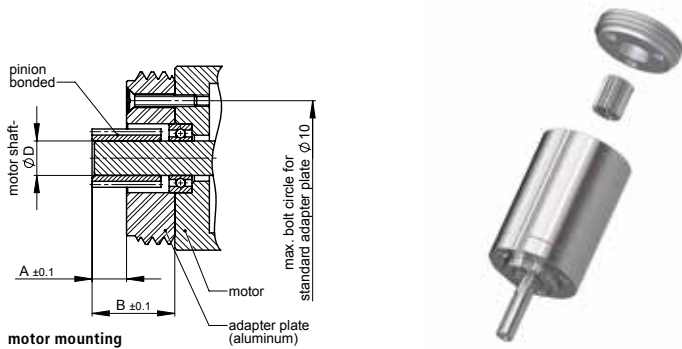
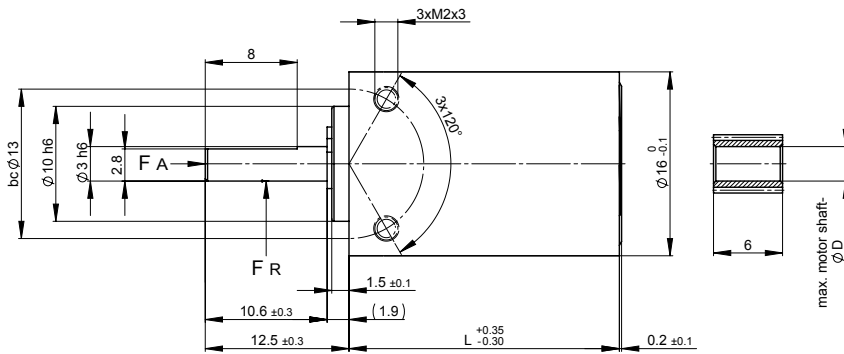


PLANETARY GEARBOX GPL016

stainless steel version



		1-STAGE	2-STAGE	3-STAGE	
Ratio i:1	Max. motor shaft- $\varnothing D$	3	5	9	5
				12	5
Ratio i:1	Max. motor shaft- $\varnothing D$	4	3	16	3
				21	5
				28	3
Ratio i:1	Max. motor shaft- $\varnothing D$	7	1	36	5
				48	5
				64	3
Ratio i:1	Max. motor shaft- $\varnothing D$	3	5	84	5
				112	3
				147	5
Ratio i:1	Max. motor shaft- $\varnothing D$	4	3	196	3
				343	1

Standard scope of delivery Gearbox lubricated for duration of service life, dust-proof package, motor pinion and assembly instructions (adapter plate optional).

Customized versions also available for small quantities.

Max. rated torque continuous	Nm	0.1	0.3	0.5
Max. efficiency at max. rated torque continuous	%	90	85	80
Average backlash at no load	arcmin \leq	20	35	50
Weight without adapter plate	g	20	25	30
Dimension L	mm	18.5	23.5	28.5
Dimension A	mm	3		
Dimension B	mm	7.2		
Max. radial load	F_R	5 mm from shaft end		N
Max. axial load	F_A	N		
Max. continuous rated speed at drive	min ⁻¹	6000		
Max. intermittent rated speed at drive	min ⁻¹	10000		
Temperature range	Type Standard	°C		
Temperature range	Type V	°C		