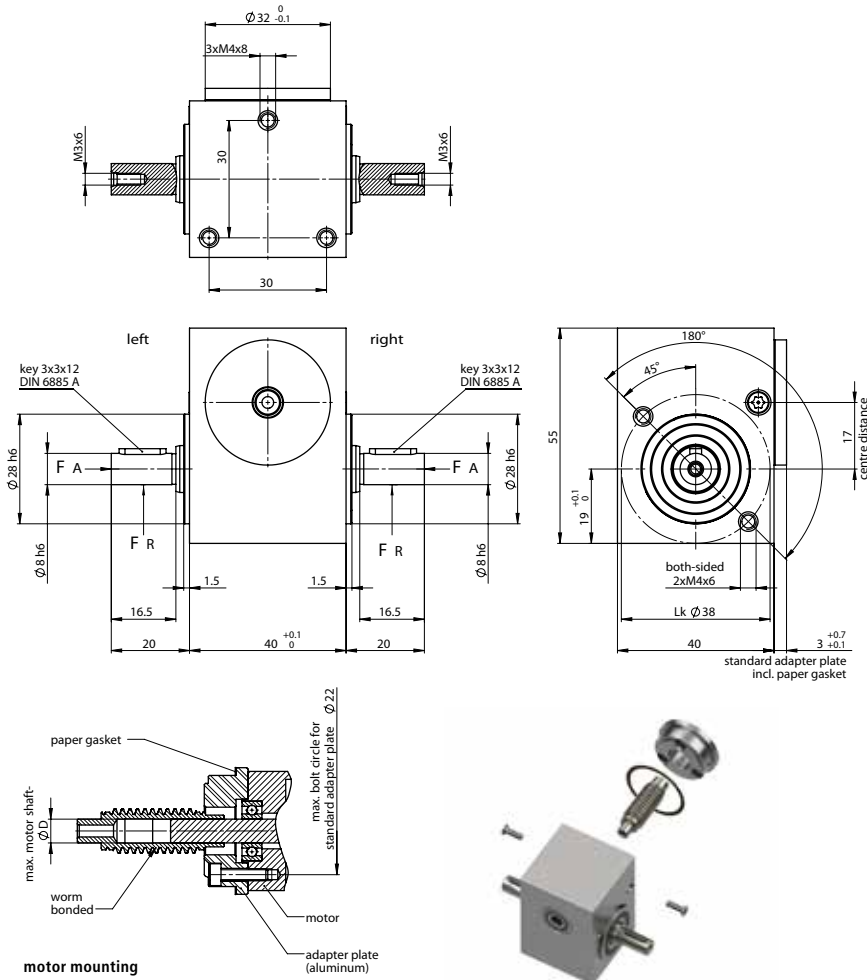


## WORM GEARBOX GSR017



### 1-STAGE



**Standard scope of delivery** Gearbox lubricated for duration of service life, dust-proof packaged, worm, mounting screws, paper gasket and assembly instructions (adapter plate optional).

Customized versions also available for small quantities.

				Ratio i:1	Max. efficiency factor (%)
				5	75
				7	70
				10	65
				15	55
				20	50
				25	55
				30	40
				40	35
				50	30
				60	30
Rated torque continuous			Nm	2	
Rated torque intermittent			Nm	3	
Average backlash at no load	Type Standard		arcmin ≤	30	
Average backlash at no load	Type R		arcmin ≤	15	
Weight without adapter plate			g	300	
Standard bore-øD worm			mm	6	
Max. motor shaft-øD			mm	7	
Max. radial load	F <sub>R</sub>	8 mm from shaft end	N	100	
Max. axial load	F <sub>A</sub>		N	120	
Max. continuous rated speed at drive			min <sup>-1</sup>	4000	
Max. intermittent rated speed at drive			min <sup>-1</sup>	6000	
Temperature range			°C	-25 / +90	