

GPX 22 SPEED Ø22 mm, planetary gearhead

Sterilizable

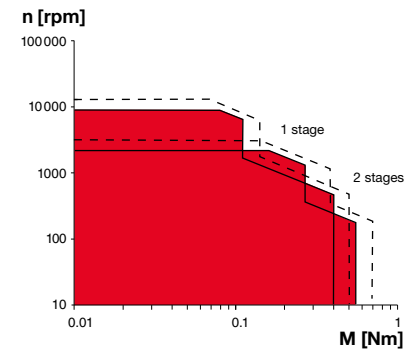
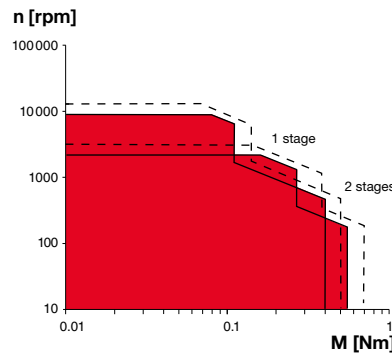


GPX

Key Data	Without shaft seal	With shaft seal
Max. transmittable power	W 74 (20)	74 (20)
Max. continuous torque	Nm 0.27 (0.55)	0.27 (0.55)
Max. continuous input speed	rpm 35000	35000
Ambient temperature	°C -10 ... +135	-10 ... +135
Bearing at output	Ball bearing	Ball bearing

Operating Range (output shaft)	Without shaft seal	With shaft seal
--------------------------------	--------------------	-----------------

■ Continuous operation
- - - - - Intermittent operation



Sterilization information

Without shaft seal: typically 1000 autoclave cycles
 With shaft seal: typically 2000 autoclave cycles

Sterilization with steam
 Temperature 134°C ± 4°C
 Compression pressure up to 2.3 bar
 Rel. humidity 100%
 Cycle length 18 minutes



Specifications	Without shaft seal*	With shaft seal*
----------------	---------------------	------------------

	Without shaft seal*		With shaft seal*	
	1	2	1	2
Number of stages	1	2	1	2
Max. transmittable continuous power	W 74 (20)	37 (10)	74 (20)	37 (10)
Max. transmittable intermittent power	W 92 (25)	46 (13)	92 (25)	46 (13)
Max. continuous torque	Nm 0.11 (0.4)	0.27 (0.55)	0.11 (0.4)	0.27 (0.55)
Max. intermittent torque	Nm 0.14 (0.5)	0.38 (0.7)	0.14 (0.5)	0.38 (0.7)
Max. continuous input speed	rpm 35000	35000	35000	35000
Max. intermittent input speed	rpm 50000	50000	50000	50000
Max. efficiency	% 85	80	85	80
Average backlash no load	° 1.4	1.6	1.4	1.6
Max. axial load (dynamic)	N 80.0	80.0	80.0	80.0
Max. radial load, 10 mm from flange	N 45.0	75.0	30.0	50.0
Gearhead length L1 ¹	mm 30.8	40.9	38.6	48.6
Weight	g 65	86	85	106

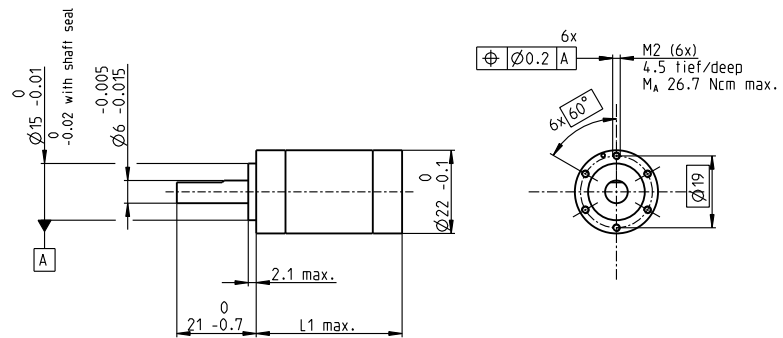
Configuration	Without shaft seal	With shaft seal
---------------	--------------------	-----------------

	Without shaft seal		With shaft seal	
	1	2	1	2
Number of stages	1	2	1	2
Reduction	X:1 3.9, 5.3, 6.6	16, 21, 26,	3.9, 5.3, 6.6	16, 21, 26,
Absolute reduction: (see online)		28, 35, 44		28, 35, 44

Version	Without shaft seal/With shaft seal
Flange	Standard flange
Shaft	Length/flat face/cross hole

maxon Modular System	Page	Dimensions	M 1:2
----------------------	------	------------	-------

maxon EC motor	Nº of stages [opt.]	
ECX SPEED 19 M	[3]	203-206
ECX SPEED 19 L	[3]	207-210
ECX SPEED 22 M	1-2	211-212
ECX SPEED 22 L	1-2	215-216



¹This length may vary depending on the configuration and choice of motor. The effective length is calculated at the end of the configuration process.

gpx.maxongroup.com

*Values in parentheses apply in case of reduced speed (according to diagram).